

PROJECT	QUANTITY	ITEM NO
---------	----------	---------

# Hand Breader/sifter

**HB 121**

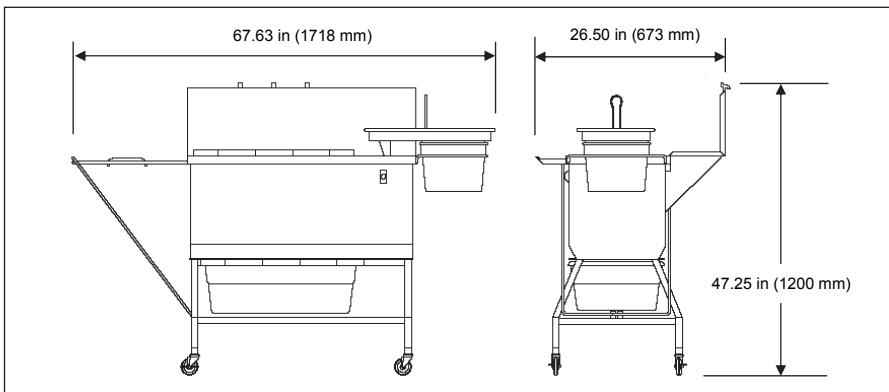


HB 121 hand breader/sifter

Hand breading is popular because it offers the greatest control of coverage and density. Henny Penny hand breaders are designed to make that task fast and convenient.

The HB 121 is a self-contained, portable station that lets crew quickly dip, bread, sift and stack food by hand from a minimum of floor space.

This sturdy, portable station will give your freshly breaded products a consistent look, taste and texture, while saving labor and reducing breading and product waste.



**Dimensions**

Height	47.25 in	(1200 mm)
Width	67.63 in	(1718 mm)
Depth	26.50 in	(673 mm)

**Crated**

Length	37 in	(945 mm)
Depth	25 in	(640 mm)
Height	51 in	(1295 mm)
Volume	27 ft <sup>3</sup>	(0.78 m <sup>3</sup> )
Weight	180 lb	(82 kg)

**Work flow configuration**

Please specify:

- Left to right work flow (dip pot on left)
- Right to left work flow (dip pot on right)

**Product capacity:** 25 lbs. (11.3 kg)

**Standard Features**

- High quality stainless steel frame and sifting basket
- Fully enclosed 0.25 hp motor and drive assembly generates special “eccentric” sifting action
- Breading lugs hold 25 lb (11.4 kg) of breading
- 2 interchangeable lugs—1 for breading, 1 to catch sifted breading
- Angled frames extend legs for greater stability
- Removable splash guard
- Heavy-duty casters, two locking
- Quick disassembly for easy cleaning
- Choose right or left-hand workflow

**Bidding specifications**

Provide Henny Penny model HB 121 Hand Breader/sifter designed to integrate all tasks for breading fresh product into a single portable station.

Unit shall incorporate:

- Motorized “eccentric” sifting action to maximize breading usage
- Angled and braced legs for greater stability
- High-quality welded stainless steel table and frame
- Rugged polyethylene breading lugs
- Dip pot, dip basket, drip tray, 2 lugs, lug plug, sifter, 4 casters 2 locking, power cord

**Electrical**

Volts	Phase	Hertz	kW	Amps	Wire
120	1	60	0.50	4.5	2+G
240	1	50	0.79	1.5	2+G

Plug included with 120 V unit

NEMA 5-15P



**Laboratory certifications**



Continuing product improvement may subject specifications to change without notice.

<input type="checkbox"/> APPROVED	<input type="checkbox"/> APPROVED AS NOTED	<input type="checkbox"/> RESUBMIT
AUTHORIZED SIGNATURE		DATE

**Henny Penny Corporation**  
 PO Box 60 Eaton OH 45320 USA  
 +1 937.456.8400 800.417.8417  
 +1 937.456.8434 Fax 800.417.8434 Fax  
 +1.800.417.8405 Technical Support

[www.hennypenny.com](http://www.hennypenny.com)

